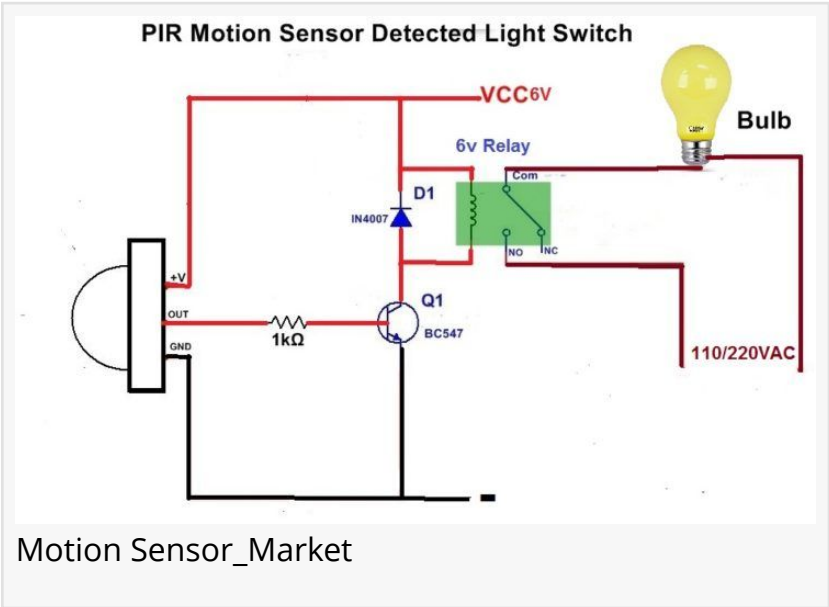


Motion Sensor Market Size to Reach USD 8.72 Billion by 2033 Growing at 7.08 % CAGR by Exactitude Consultancy

000000 000000 000000 00000000-
 00000000000000000000, 000000
 00000000000000 00., 000.

LUTON, BEDFORDSHIRE, UNITED KINGDOM, December 10, 2024 /EINPresswire.com/ -- The report has offered an all-inclusive analysis of the global [Motion Sensor](#) Market taking into consideration all the crucial aspects like growth factors, constraints, market developments, top investment pockets, future prospects, and trends.

At the start, the report lays emphasis on the key trends and opportunities that may emerge in the near future and positively impact the over The Motion Sensor Market report provides a holistic evaluation of the market. The report offers comprehensive analysis of Size, Share, Scope, Demand, Growth, Value, Opportunities, Industry Statistics, Industry Trends, Industry Share, Revenue Analysis, Revenue



“

“The motion sensor market is driven by increasing demand in smart homes, automotive safety, industrial automation, and wearable devices.”

”

exactitudeconsultancy

Forecast, Future Scope, Challenges, Growth Drivers, leaders, graph, insights, Research Report, companies, overview, outlook and factors that are playing a substantial role in the market. all industry growth.

000 000000 000000 000000 00 00000000 00 0000 00
 0.00% 0000 0000 0000 00 0000. 00 00 00000000 00
 000000 000000 000 0.00 00000000 00 0000 0000 000 0.00
 00000000 00 0000.

000000000 0000000 00000000 (0000 00000 0000000000 00 0000 -
 000000) @

□□□ □□□ □□□□□□□ □□□□□□□□ □□ □□□□ □□□□□□ □□□□□□□□

STMicroelectronics, Murata Manufacturing Co., Ltd., HONEYWELL INTERNATIONAL INC., Freescale Semiconductor, Inc., Analog Devices, Inc., Microchip Technology Inc., TDK Corporation., Panasonic Corporation, NXP Semiconductors., Safran Colibrys SA, SENSINOVA, Vernier Software & Technology, Theben AG, Bosch Sensorte, Memsic

□□□□□□ □□□□□□□ □□□ □□□ □□□□□□□□:

Motion Sensor Market By Motion Technology, 2024-2029, (USD Billion, Thousand Units)

Active

Microwave

Passive

Motion Sensor Market By Embedded Sensor, 2024-2029, (USD Billion, Thousand Units)

MEMS Accelerometer

MEMS Gyroscope

MEMS Magnetometer

Sensor Combos

Motion Sensor Market By Function, 2024-2029, (USD Billion, Thousand Units)

Fully Automatic

Semi-Automatic

Motion Sensor Market By Application, 2024-2029, (USD Billion, Thousand Units)

Consumer Electronics

Automotive application

Industrial Application

Healthcare

Commercial

Residential

Aerospace & Defense

Motion sensor market is a market for motion sensors used in various applications, including healthcare, commercial, residential, aerospace & defense, etc. The market is growing rapidly due to the increasing demand for motion sensors in various applications.

- Middle East and Africa (South Africa, Saudi Arabia, UAE, Israel, Egypt, etc.)
- North America (United States, Mexico & Canada)
- South America (Brazil, Venezuela, Argentina, Ecuador, Peru, Colombia, etc.)
- Europe (Turkey, Spain, Turkey, Netherlands Denmark, Belgium, Switzerland, Germany, Russia UK, Italy, France, etc.)
- Asia-Pacific (Taiwan, Hong Kong, Singapore, Vietnam, China, Malaysia, Japan, Philippines, Korea, Thailand, India, Indonesia, and Australia).

For more information, please visit our website (www.exactitudeconsultancy.com) or contact us at: info@exactitudeconsultancy.com & [+919899999999](tel:+919899999999)

<https://exactitudeconsultancy.com/reports/25403/motion-sensor-market/>

There are 15 Sections to show the global Motion Sensor market

Sections 1, Definition, Specifications and Classification of Motion Sensor Applications of Motion Sensor Market Segment by Regions;

Section 2, Assembling Cost Structure, Crude Material and Providers, Assembling Procedure, Industry Chain Structure;

Sections 3 and 4, Regional Market Investigation that incorporates United States, China, Europe, Japan, Korea and Taiwan, Motion Sensor segment Market Examination (by Sort);

Sections 5 and 6, The Motion Sensor Segment Market Analysis (by Application) Major Manufacturers Analysis of Motion Sensor

Sections 7, Market Trend Analysis, Regional Market Trend, Market Trend by Product Type and by Application;

Sections 8, Regional Promoting Type Investigation, Worldwide Exchange Type Examination, Inventory network Investigation;

Sections 9, The Customers Examination of global Motion Sensor

Sections 10, Motion Sensor Research Findings and Conclusion, Appendix, system and information source;

Sections 11, 12 and 13, Motion Sensor deals channel, wholesalers, merchants, traders, Exploration Discoveries and End, appendix and data source.

□□□ □□□□□□□□ □□ □□□ □□□□□

By Component, the hardware segment dominated the Motion Sensor market in 2024. However, the software segment is expected to exhibit significant growth during the forecast period.

On the basis of type, the non-invasive segment accounted for the highest revenue of Motion Sensor market in 2024; however, the Invasive segment is expected to witness the highest growth rate during the forecast period.

Depending on application, the healthcare segment generated the highest revenue in 2024. However, the smart home control segment is expected to witness the highest growth rate in the near future.

Region wise, the Motion Sensor market was dominated by North America. However, Asia-Pacific is expected to witness significant growth in the coming years.

□□□□□□□ □□ □□□□□□□□ □□□□ □□□□□□:

Estimates 2024-2032 Motion Sensor Report on, Status and Forecast, by Players, Types and Applications market development trends with the recent trends and SWOT analysis

Market dynamics scenario, along with growth opportunities of the market in the years to come

Market segmentation analysis including qualitative and quantitative research incorporating the impact of economic and policy aspects

Regional and country level analysis integrating the demand and supply forces that are influencing the growth of the market.

Competitive landscape involving the market share of major players, along with the new projects and strategies adopted by players in the past five years

Comprehensive company profiles covering the product offerings, key financial information, recent developments, SWOT analysis, and strategies employed by the major market players

□□□□□□□□□□□□□□:

Motion Sensor Market Report may well be modified to meet your detailed business essentials. Because we understand what our clients want, we provide up to 20% customization for any of our market reports at no added cost to all of our Users.

Get More: <https://bulletin.exactitudeconsultancy.com/>

<https://www.thehealthanalytics.com/>

<https://www.analytica.global/>

<https://www.marketintelligencedata.com/>

<https://www.marketinsightsreports.com/>

<https://exactitudeconsultancy.com/>

□□□□ □□□□ □□□□□ □□□□□□□□ □□□□□□□□:

<https://exactitudeconsultancy.com/reports/40631/air-quality-apps-market/>

The global air quality apps market size is projected to grow from USD 222.49 million in 2023 to USD 625.03 million by 2030, exhibiting a CAGR of 15.9% during the forecast period.

<https://exactitudeconsultancy.com/reports/16176/breathable-films-market/>

The Breathable Films Market is expected to grow at 9.31% CAGR from 2024 to 2030. It is expected to reach above USD 7.81 billion by 2030 from USD 3.20 billion in 2023.

<https://exactitudeconsultancy.com/reports/2159/network-as-a-service-market/>

The global network as a service market size is estimated to be valued at USD 13.7 billion in 2023 and is projected to reach USD 63.1 billion by 2030, recording a CAGR of 24.6%.

<https://exactitudeconsultancy.com/reports/6714/biodegradable-plastics-market/>

Biodegradable plastics market size was valued at USD 5.9 billion in 2023 and is projected to reach USD 43.95 billion by 2030, growing at a CAGR of 25% from 2024 to 2030.

<https://exactitudeconsultancy.com/reports/35763/synthetic-ice-skating-rink-market/>

The global synthetic ice-skating rink market is anticipated to grow from USD 3.4 Billion in 2023 to USD 6.77 Billion by 2030, at a CAGR of 10.53% during the forecast period.

<https://exactitudeconsultancy.com/reports/6143/exhaust-system-market/>

The global exhaust system market is expected to grow at a 2.60% CAGR from 2024 to 2030. It is expected to reach above USD 48.21 billion by 2029 from USD 38.85 billion in 2024.

<https://exactitudeconsultancy.com/reports/17424/impregnating-resins-market/>

The impregnating resins market is expected to grow at 6.6% CAGR from 2024 to 2030. It is expected to reach above USD 2.48 Billion by 2029 from USD 1.49 Billion in 2024.

<https://exactitudeconsultancy.com/reports/10753/hepatitis-testing-diagnosis-market/>

The global hepatitis testing/diagnosis market is expected to grow at a 5 % CAGR from 2024 to 2030. It is expected to reach above USD 4.14 billion by 2029 from USD 2.66 billion in 2024.

<https://exactitudeconsultancy.com/reports/29407/angiographic-catheters-market/>

The angiographic catheters market is expected to grow at 7.8% CAGR from 2024 to 2030. It is expected to reach above USD 2.43 Billion by 2029 from USD 1.24 Billion in 2024.

<https://exactitudeconsultancy.com/reports/44489/bamboo-cosmetic-packaging-market/>

Bamboo Cosmetic Packaging Market is valued at USD 420.1 Mn in 2023 and expected to reach USD 740.5 Mn by year 2032 at a 7.3% CAGR during period for 2024-2032.

Exactitude Consultancy is a market research & consulting services firm which helps its client to address their most pressing strategic and business challenges. Our market research helps clients to address critical business challenges and also helps make optimized business decisions with our fact-based research insights, market intelligence, and accurate data.

Contact Us:

Exactitude Consultancy is a market research & consulting services firm which helps its client to address their most pressing strategic and business challenges. Our market research helps clients to address critical business challenges and also helps make optimized business decisions with our fact-based research insights, market intelligence, and accurate data.

Contact Us:

Irfan T

Exactitude Consultancy

+1 704-266-3234

[email us here](#)

Visit us on social media:

[X](#)

[LinkedIn](#)

This press release can be viewed online at: <https://www.einpresswire.com/article/767758820>

EIN Presswire's priority is source transparency. We do not allow opaque clients, and our editors try to be careful about weeding out false and misleading content. As a user, if you see something we have missed, please do bring it to our attention. Your help is welcome. EIN Presswire, Everyone's Internet News Presswire™, tries to define some of the boundaries that are reasonable in today's world. Please see our Editorial Guidelines for more information.

© 1995-2024 Newsmatics Inc. All Right Reserved.