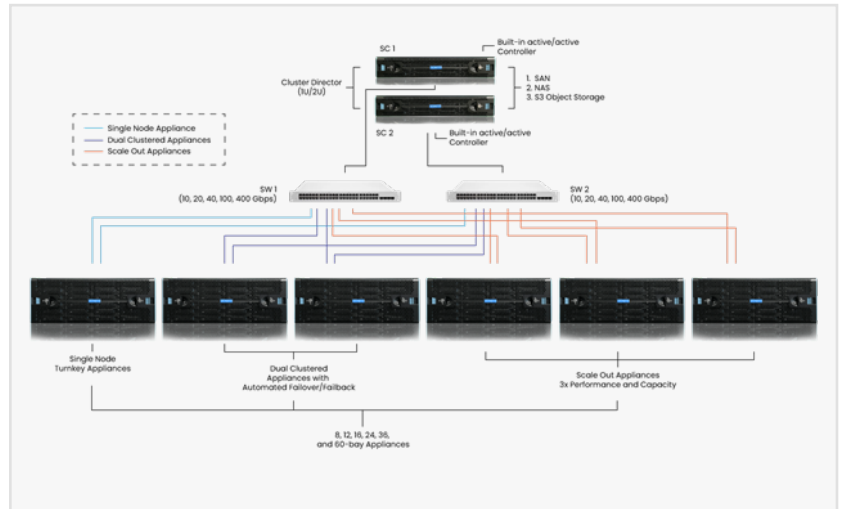


Cloud-Scale Unified SAN, NAS, and S3 Object Storage with Air-Gapped and Immutable Ransomware Protection

CASTRO VALLEY, CA, UNITED STATES,
November 13, 2024 /

EINPresswire.com/ -- [StoneFly, Inc.](https://www.stonefly.com) (isci.com), a leading provider of enterprise storage, hyperconverged, backup and disaster recovery, cloud, and AI storage solutions, has introduced FlexStor ScaleHA™ - a cloud-scale data center infrastructure configuration for StoneFly's Unified Scale Out (USO) SAN, NAS, and [S3 object storage solution](#) with integrated Air-Gapped Vault® and immutability.



Built to provide disaggregated and flexible deployment options, scalability, performance, and security, FlexStor ScaleHA allows enterprises to custom-design unified block, file, and object storage infrastructure to fit specific performance, capacity, and budget needs.

FlexStor ScaleHA™ - Cloud-Scale Unified Storage Center Architecture

The FlexStor ScaleHA configuration is tailored for businesses seeking secure, high performance and flexible storage infrastructure with enterprise-grade features.

By leveraging the FlexStor ScaleHA architecture, enterprises can now deploy a unified SAN, NAS, and S3 object storage solution that offers seamless scalability, ransomware-proof storage, and enhanced performance across all storage types.

The architecture consists of the following components:

1. Two, or more, Scalable Controller Directors – each with active/active storage virtualization engine and SAN, NAS, and S3 object storage support
2. 2x 10, 20, 40, 100, 400 Gbps network support
3. 8, 12, 16, 24, 36, and 60-bay single, dual, or scale out appliances – as many as needed
4. Optional 12, 16, 24, 36, 60, and 108-bay storage expansion units – up to 256 drive support per node.

Each appliance node can be customized for the following role:

- Unified storage appliance – Turnkey SAN, NAS, and S3 object storage solution with integrated ransomware protection, security, optimization, and management.
- Air-Gapped Vault® and immutable storage – Isolated ransomware-proof target storage that cannot be edited, overwritten, or deleted.
- Always On-Air® Gapped storage appliance – Built for hot-tier, these appliances are isolated, but still running, and attached only for read/write jobs.
- Immutable FileLock – File storage repositories/appliances that cannot be edited, deleted, or overwritten.
- Immutable S3 object storage – S3 object storage repositories/appliances that cannot be edited, deleted or overwritten.

Advantages of FlexStor ScaleHA

The StoneFly FlexStor ScaleHA architecture delivers powerful benefits for MSPs and large organizations seeking ransomware-proof scalable, and high-performance unified storage:

1. Customizable Scalable Modular Design

FlexStor ScaleHA allows users to build a tailored unified storage infrastructure, scaling storage and performance independently without forklift upgrades.

2. Ransomware-Proof Protection

Integrated with air-gapped and immutable storage, FlexStor ScaleHA provides isolated environments for mission-critical data, protecting against ransomware and unauthorized access.

3. High Availability and Reliability

Dual active/active RAID controllers ensure for hardware node-level flexible redundancy, and erasure coding across nodes, for continuous data availability with automated failover and failback, minimizing downtime.

4. Versatile Storage Options

Supports SAN, NAS, S3 object storage, and unified storage within a single platform, enabling hot, cold, and archive-tier storage.

5. Cost-Effective Scalability

Flexible storage configurations reduce initial costs, allowing for gradual scaling and lowering total cost of ownership (TCO).

6. Easy Management and Real-Time Monitoring

The graphical interface provides real-time insights into resource usage through a single pane of glass, simplifying management and reducing operational overhead.

Availability

The StoneFly FlexStor ScaleHA configuration is now available for [StoneFly USO storage appliances](#). For more details, visit <https://stonefly.com/storage/uso-appliance/>

About StoneFly, Inc.

StoneFly, Inc. is a leading provider of enterprise-grade storage, hyperconverged, and backup and disaster recovery solutions. With over two decades of experience, StoneFly offers innovative, scalable, and reliable data management solutions that simplify enterprise workloads and provide seamless protection and accessibility for mission-critical data. Learn more at www.stonefly.com.

George Williams

StoneFly

+1 510-265-1616

[email us here](#)

Visit us on social media:

[Facebook](#)

[X](#)

[LinkedIn](#)

[Instagram](#)

[YouTube](#)

This press release can be viewed online at: <https://www.einpresswire.com/article/760310207>

EIN Presswire's priority is source transparency. We do not allow opaque clients, and our editors try to be careful about weeding out false and misleading content. As a user, if you see something we have missed, please do bring it to our attention. Your help is welcome. EIN Presswire, Everyone's Internet News Presswire™, tries to define some of the boundaries that are reasonable in today's world. Please see our Editorial Guidelines for more information.

© 1995-2024 Newsmatics Inc. All Right Reserved.